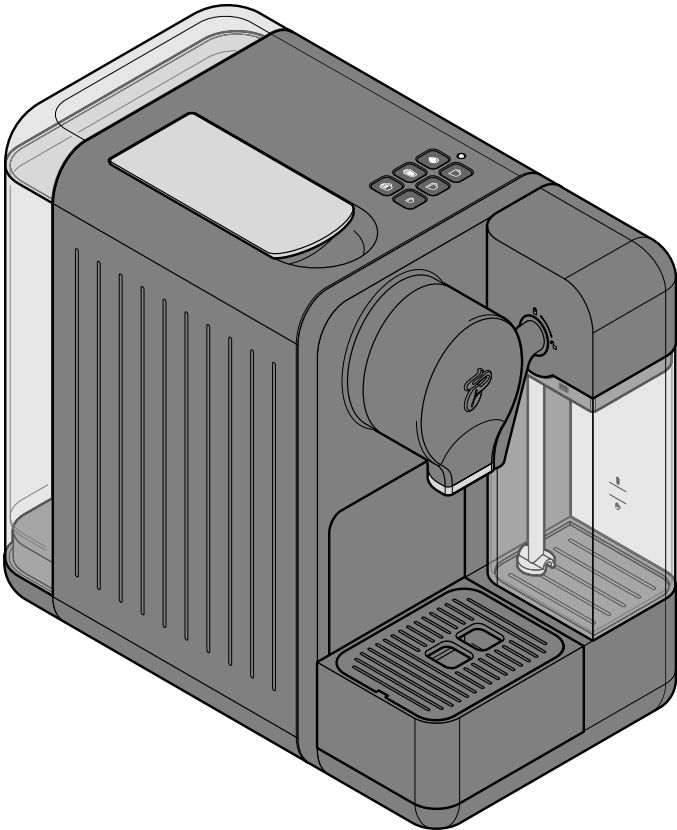




Cafissimo milk




en Original instructions for use and warranty

en Original instructions for use and warranty for Cafissimo milk

Contents

3	About these instructions	13	Filling the water container
3	Intended use	14	Making a beverage without milk
4	Location	14	Espresso, caffè crema or black coffee
4	Safety warnings		
7	At a glance (delivery contents)	15	Making beverages containing milk
8	Control panel – button functions	15	Filling the milk container
8	Initial operation - prior to first use	16	Cappuccino
11	Rinsing the machine	16	Frothed milk
12	The finest aroma – the finest flavour	17	Milk system rinse
12	One capsule per cup	17	After use
12	Using large / small cups or glasses	18	Adjusting the strength of the beverage (beverage quantity)
13	Switching the machine on/off	20	Cleaning
13	Switching the machine on	24	Descaling
13	Switching the machine off	26	Problems / solutions
13	Standby mode	27	Technical specifications
		28	Declaration of Conformity
		28	Disposal

 We check every machine carefully prior to delivery and test them with coffee and water. For this reason, despite thorough cleaning, you may still find minimal coffee or water residue in the machine. This is not a sign of poor quality - the machine is in perfect working order.

About these instructions

Read these safety warnings carefully and only use the machine as described in these instructions to avoid accidental injury or damage. Keep these instructions for future reference. If you give the machine to another person, remember to also include these instructions.

Symbols in these instructions:



This symbol warns you of the danger of injury.



This symbol warns against the danger of injury caused by electricity.

Signal words:

DANGER warns you of potential severe injuries and danger to life.

WARNING warns you of injuries and severe material damage.

CAUTION warns you of minor injuries or damage.



This indicates additional information.

Intended use

The coffee machine has been designed for the following uses:

- Brewing black coffee, caffè crema and espresso with Tchibo Cafissimo capsules.
- Preparing milk specialities.

The machine been designed for use in households or for similar applications, such as

- in shops, offices or similar work areas,
- in agricultural buildings,
- by customers in hotels, motels, bed and breakfast establishments or other places offering accommodation.

If the machine is used for commercial purposes, it must be overseen and cleaned by trained personnel. Maintenance that goes beyond cleaning and descaling is not necessary for this machine.

Location

Set up the machine in a dry, indoor room. Avoid rooms with high levels of humidity or a high dust content. The machine is suitable for use at ambient temperatures of +10 to +40 °C.

Safety warnings



DANGER to children and people with restricted capabilities of operating appliances

- This machine may be used by children aged 8 and over or by people with reduced physical, sensory or mental capabilities, or who lack experience and/or knowledge, provided they are supervised or have been trained in the safe use of the machine and understand the potential dangers.
- Children must not be allowed to clean the machine unless they are over 8 years of age and supervised while doing so. This machine is maintenance-free.
- Children must not be allowed to play with the machine. Keep the machine and mains cable away from pets and children under the age of 8.

- Set up the machine out of the reach of children.
- Keep the packaging materials out of the reach of children. There is a risk of suffocation!

DANGER due to electricity

- Never immerse the coffee machine, mains plug or mains cable in water, as this could cause an electric shock. Do not clean the machine using pressure washers and do not position it anywhere it could be cleaned with a pressure washer. Never touch the mains plug with wet hands. Do not use the machine outdoors.
- Never leave the machine to operate unattended.
- Only connect the machine to a properly installed, grounded wall socket. The mains voltage must comply with the requirements stated in the machine's technical specifications.
- The mains cable must not be kinked or squeezed. Keep it away from sharp edges and sources of heat.
- Do not use the machine if the machine, mains cable or mains plug are damaged, or if the machine has been dropped.
- Never place any drinks or other objects on top of the machine.
- Do not make any modifications to the machine, mains cable or other parts. Electrical appliances must only be repaired by qualified electricians, as improper repairs can cause considerable damage. Only have repairs carried out by a specialist workshop or our customer care service.

- If the mains cable of this machine becomes damaged, it must be replaced by the manufacturer, its customer service or a similarly qualified person in order to avoid danger.
- Remove the mains plug from the wall socket...
 - ... if a fault occurs,
 - ... if the machine will not be used for any length of time,
 - ... before cleaning the machine.
 To do so, always pull on the mains plug, not the cable.
- To disconnect the machine from the mains completely, remove the mains plug from the wall socket.

WARNING - fire hazard

- Position the machine in such a way that it is free-standing for use; never place it directly against a wall, in a corner, in a cupboard, against curtains, etc.
- Do not cover the machine while it is in use (e.g. with newspapers, blankets, clothes, etc.).

WARNING - health hazards

- Empty and clean the drip tray and used capsule container regularly.
- If you will not be using the machine for a prolonged period, empty the water container, used capsule container and drip tray.
- Change the water in the water container daily to prevent germs from collecting.

- Milk is highly perishable, making it susceptible to mould forming. For this reason, the highest level of cleanliness is essential when preparing milk specialities. Clean all parts of the milk container thoroughly following each use.
- Use only the cleaning and descaling agents listed in these instructions as well as the relevant cleaning utensils to clean this machine. The use of other cleaning agents can result in health hazards.

WARNING - risk of scalds/burns

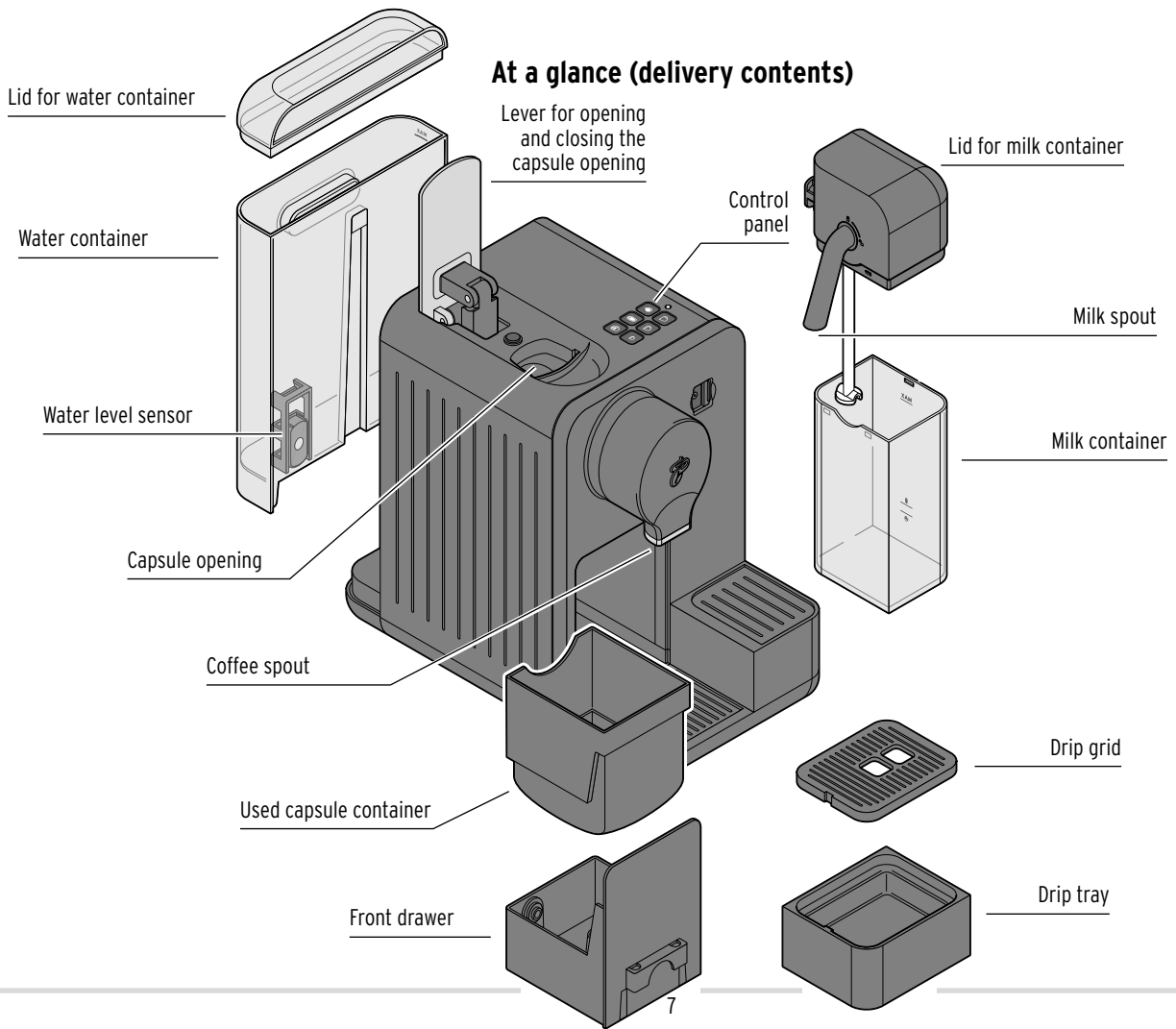
- Do not touch the coffee/milk spout during or immediately after use. Avoid coming into contact with the beverage coming out of the spout.
- Do not raise the lever while the machine is being used. Keep the capsule opening closed and do not pull out the front drawer with the used capsule container.
- The surfaces of the heating element stay warm after use.

CAUTION - risk of injuries or material damage

- **Use only original Tchibo Cafissimo capsules.** Do not use capsules from other manufacturers, nor damaged or deformed capsules, and never use ground coffee or coffee beans, as this would damage the machine. In these cases, any necessary repairs would not be covered by the warranty.
- Only use the machine with the front drawer/used capsule container inserted.

- Always fill the water container with fresh, cold tap/drinking water. Do not use carbonated mineral water or any other liquids.
- Descale the machine as soon as it indicates that this is necessary.
- The capsule opening contains two capsule punchers. These punchers pierce both sides of the capsule when the lever is pressed down. Never reach into the capsule opening. Keep your fingers and any objects away from the capsule opening as you fold down the lever.
- Do not lift the machine up by the lever. Hold the machine by its outer casing if you wish to move it.
- Place the machine on a solid, level surface that is well-illuminated and resistant to water and heat.
- To ensure that the casing does not melt, do not place the machine on a hob or immediately next to a hot oven, radiator or anything similar.
- Route the mains cable in such a way that it is not a tripping hazard. Do not let the connection cable hang down from the surface the machine is put on in order to ensure that the machine cannot be pulled down by it.
- The machine is equipped with non-slip feet. Work surfaces often have varnished or plastic finishes and are treated with a variety of care products. Some of these may contain substances that react adversely to the non-slip feet and soften them. If necessary, place a non-slip mat under the machine.
- The machine must not be exposed to temperatures below 4 °C. Residual water in the heating system could freeze and cause damage.
- Sound pressure level <70dB(A).

At a glance (delivery contents)



Control panel – button functions



Indicator light
 • **Flashes red**
 (water container empty)
 • **Lights up yellow**
 (machine needs to be descaled)



Switch on machine
 (press any button)

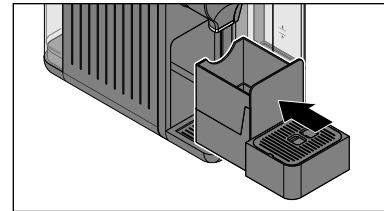
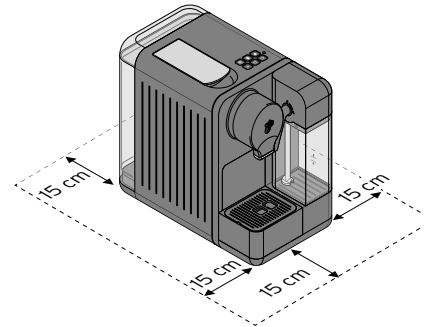


Switch off machine
 (press espresso + caffè crema buttons simultaneously)

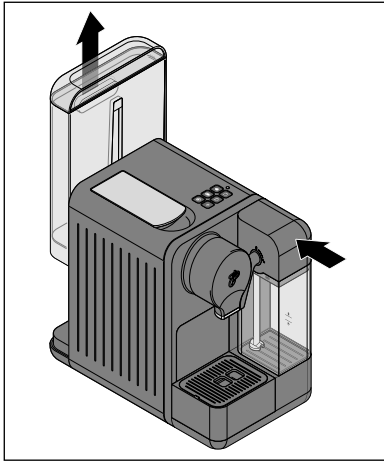


Initial operation - prior to first use

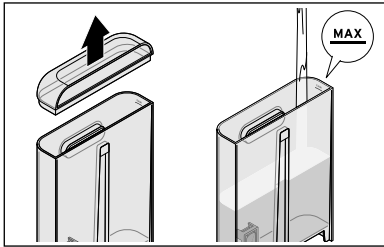
1. Take the machine out of the packaging.
2. Remove all protective films from the machine. Remove all packaging materials and all adhesive protection strips used for transport.
3. Set up the machine...
 - ... on a level worktop or surface that is not sensitive to moisture.
 - ... close to a wall socket. The length of the connection cable is approx. 80 cm.
 - ... at a distance of at least 1 m away from hot, flammable surfaces (hobs, ovens, radiators, etc.).
 - ... 15 cm away from walls.



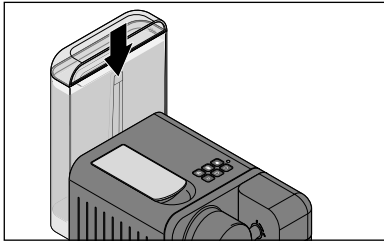
4. Make sure that the used capsule container is correctly inserted into the front drawer. The front drawer needs to be pushed in all the way and the drip tray inserted correctly.



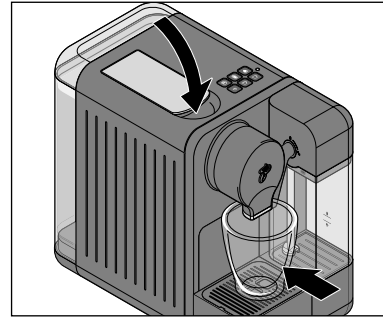
5. Make sure that the milk container is inserted all the way into the machine connection point.
6. Pull the water container straight upwards to remove it from the machine.
7. Clean the water container as described in the section titled "Cleaning".



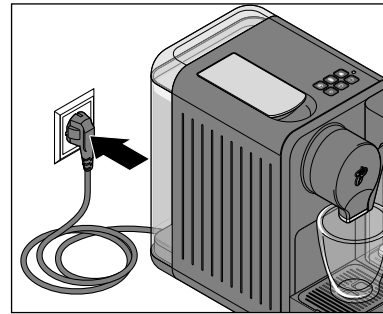
8. Then fill the water container with fresh, cold tap water or drinking water up to the **MAX** mark.



9. Reinsert the water container into the machine. Press it down as far as it will go.



10. The lever must be folded down. Fold it down if necessary.
11. Place an empty cup underneath the coffee spout.



12. Plug the mains plug into an easily accessible wall socket.



13. Press any button briefly to switch on the machine. You will hear a short beeping sound.

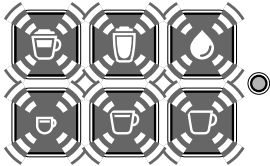


The indicator light flashes yellow and the 3 lower buttons flash white.

14. Press the **caffè crema** button.

The pump starts to operate. The pump will flush cold water through the pipes, which will run into the cup underneath. You will then hear 2 beeps.

The indicator light goes out. All buttons will flash; the machine is heating up to make a beverage.

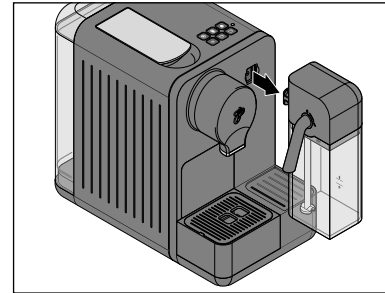


The machine will beep once it has heated up. The 6 buttons will light up continuously.



15. Press the **milk system rinse** button briefly to rinse the pipes/connection tubes to the milk container.

Rinsing takes approx. 50 seconds. You will then hear 2 beeps.



16. Pour the water out of the cup underneath.


17. Pull the milk container straight out towards you to remove it from the machine.

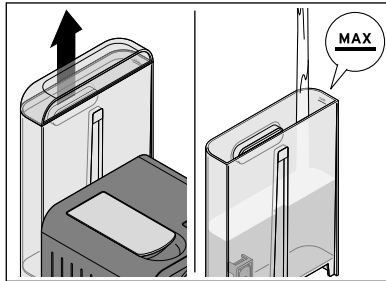
18. Clean the milk container as described in the section titled "Cleaning".

19. Rinse out the machine twice as described in the section titled "Rinsing the machine". The machine is then ready for use.

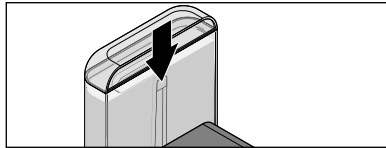
Rinsing the machine

After switching the machine on for the first time, or if you have not used the machine for longer than 2 days, rinse the machine by allowing 2 cups of water to flow through (without a capsule).

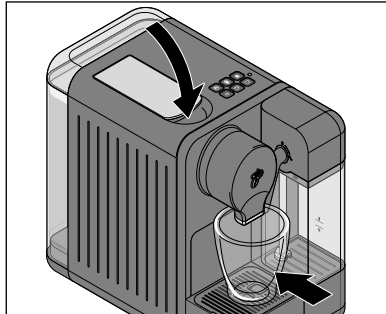
 The milk container is not required for rinsing the machine. However, you can leave it connected to the machine.



1. Pull the water container straight upwards to remove it from the machine.
2. Fill the water container with fresh, cold tap water or drinking water up to the **MAX** mark.



3. Reinsert the water container into the machine and push it down as far as it will go.



4. If you have not already done so, fold down the lever **without inserting a capsule**.
5. Place an empty cup underneath the coffee spout.



6. Press any button to switch on the machine.

You will hear a short beeping sound.

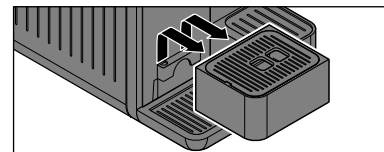
7. When all buttons light up continuously, press the **caffè crema** button.

The pump will flush water through the pipes, which will then run into the cup underneath. You will hear a beeping sound at the end of the rinsing process.

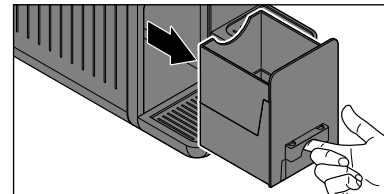
8. Pour the water away.

9. Repeat steps 7 and 8.

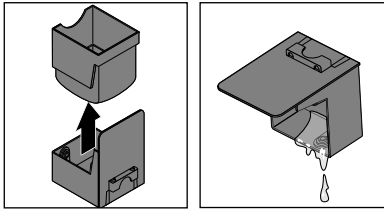
10. Finally, empty the front drawer and, if necessary, the used capsule container:



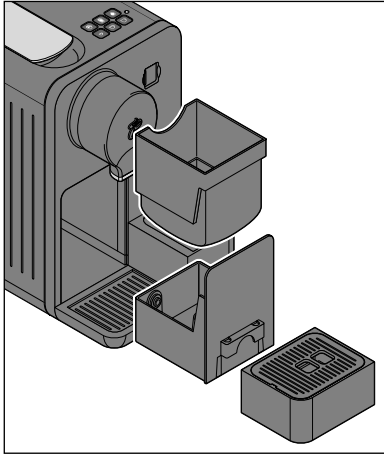
- ▷ Lift off the drip tray.



- ▷ Pull out the front drawer as illustrated.



- ▷ Remove the used capsule container (illustration on the left).
- ▷ Empty the front drawer and, if necessary, the used capsule container (illustration on the right).



11. Reinsert all parts into the machine.

The finest aroma – the finest flavour

One capsule per cup

Each capsule is portioned for one cup of black coffee, caffè crema or espresso.

Full-bodied aroma

Only insert a capsule when you intend to use the machine. The capsule is pierced as it is inserted. If it is not used immediately, the aroma will fade.

Preheating the cup

Fill the cup with hot water and then pour it away shortly before using the cup. This will ensure your coffee tastes its best.

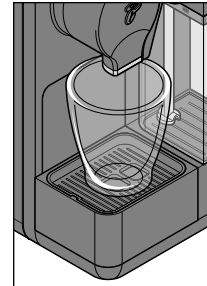
Strength of the beverage

Adjust the strength of the beverage to suit your personal taste by changing the quantity of water. This is very easy to do, and is described in the section titled "Adjusting the strength of the beverage (beverage quantity)".

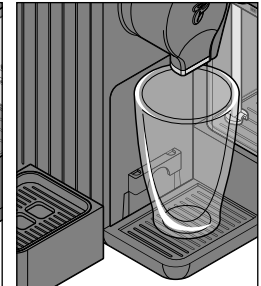
Using large / small cups or glasses



For small cups, leave the drip grid inserted.



For large cups, flip over the drip grid.



Remove the drip tray for tall glasses and coffee mugs.

Switching the machine on/off

Switching the machine on




- ▷ Press any button briefly to switch on the machine. You will hear a short beeping sound.



All buttons will flash; the machine is heating up to make a beverage.



The machine will beep once it has heated up. All buttons will light up continuously.

-  If the milk container is not connected, only the 3 lower beverage buttons will light up.


Switching the machine off



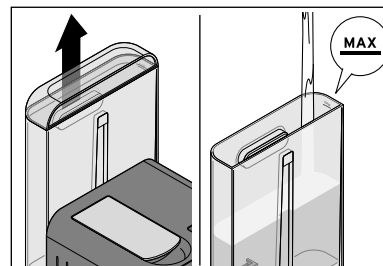
- ▷ To switch the machine off, briefly press the **espresso** button and the **caffè crema** button at the same time.

Standby mode

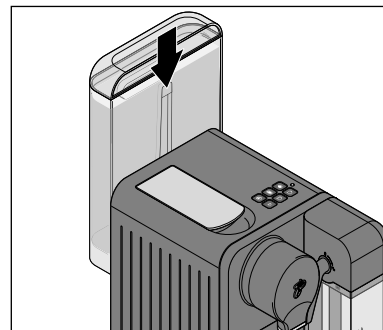
If no button has been pressed for about nine minutes, the machine will automatically switch to standby mode. All buttons will fade. The machine will then use very little energy. This is both a safety function and a way to save energy. However, we recommend that you always switch off the machine manually after use.

-  To disconnect the machine from the mains power completely, remove the mains plug from the wall socket.

Filling the water container

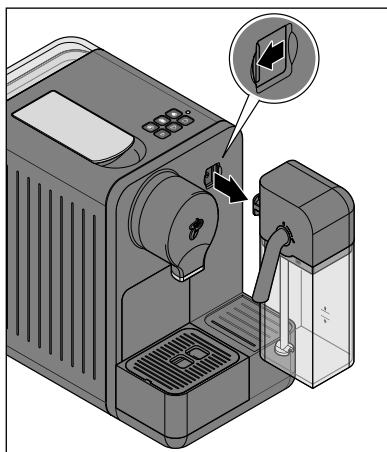


1. Pull the water container straight upwards to remove it from the machine.
2. Fill the water container with fresh, cold tap water or drinking water up to the **MAX** mark.



3. Reinsert the water container into the machine and push it down as far as it will go.

Making a beverage without milk

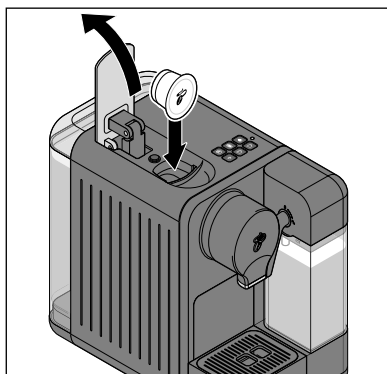


If you would like to make a coffee without milk, you do not need to connect the milk container:

- ▷ Pull the milk container out towards you to remove it from the machine.
- ▷ We recommend closing the cover on the machine to protect the connection point from dust.

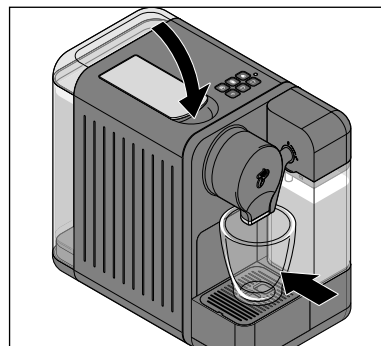
If you would like to make a cappuccino or milk froth, follow the instructions in the section titled “Making a beverage with milk”.

Espresso, caffè crema or black coffee



1. Fold back the lever as far as it will go and insert a Cafissimo capsule as illustrated with the lid facing forwards.

i The capsule must be intact: Do not pierce it and do not remove the capsule lid or insert a deformed capsule!



2. Fold the lever down completely. This pierces the base and lid of the inserted capsule.
3. Place an empty cup or mug underneath the coffee spout.

4. Press the coffee button that corresponds to the capsule you have inserted:



espresso,



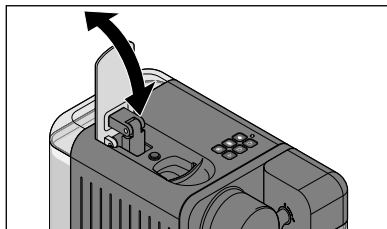
caffè crema or



black coffee.

The brewing process starts and stops automatically.
You will hear a beeping sound at the end of the brewing process.

- ▷ If you would like to stop the brewing process prematurely, press the same beverage button again while brewing.



5. Lift up the lever as far as it will go so that the used capsule drops into the used capsule container below.

i As is the case with professional espresso machines, a small amount of coffee is pre-brewed for espresso and caffè crema. This enhances the aroma. This process can be identified by the short pause at the beginning of the brewing process.
Black coffee is prepared without a pre-brewing process, as is the case with standard filter coffee machines.

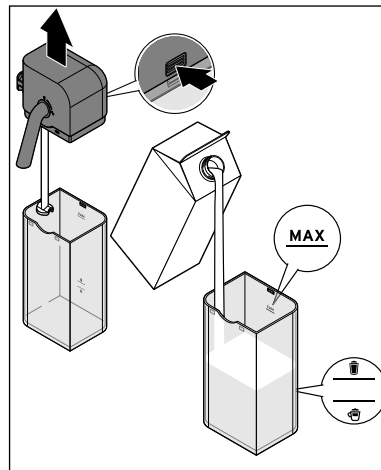
Default settings upon purchasing the machine:

espresso approx. 40 ml | **caffè crema** approx. 125 ml | **black coffee** approx. 125 ml

Tip: You can adjust the strength of the beverage by adjusting the quantity of water. Refer to the section titled "Adjusting the strength of the beverage (beverage quantity)" for information on how to do this.

Making beverages containing milk

Filling the milk container

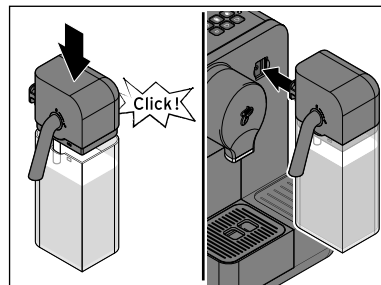


1. Press the release button on the lid for the milk container and pull the lid upwards to remove it.
2. Fill the milk container with milk up to the **MAX** mark at most, and at least up to the mark for milk froth / up to the mark for cappuccino.

MAX

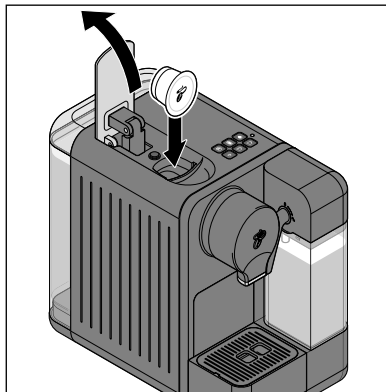


Tip: Use chilled milk with a fat content of at least 1.5% (semi-skimmed or whole milk).




3. Place the lid back on the milk container. You must hear and feel it lock into place.
4. Insert the milk container all the way into the connection point.

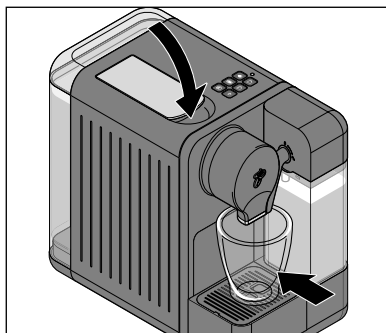
Cappuccino



1. Fold back the lever as far as it will go and insert a capsule as illustrated with the lid facing forwards.

Tip: To make a cappuccino, use one espresso capsule.

-  The capsule must be intact: Do not pierce it and do not remove the capsule lid or insert a deformed capsule!



2. Fold the lever down completely. This pierces the base and lid of the inserted capsule.
3. Place an empty cup or mug underneath the coffee/milk spout.

4. Press the **cappuccino** button.



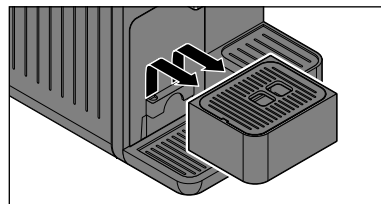
The frothing and brewing process starts and stops automatically. You will hear a beeping sound at the end of the brewing process.

- ▷ If you wish to stop the frothing and/or brewing process prematurely, press the **cappuccino** button during the frothing process and/or during the brewing process once again.

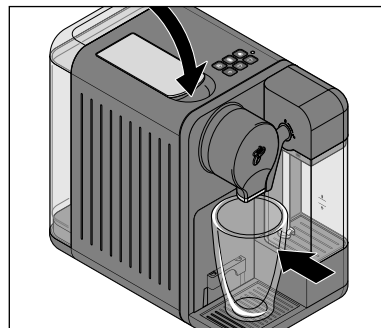
Default settings upon purchasing the machine:
cappuccino (milk froth approx. 90 ml, espresso approx. 40 ml)

- Tip:** You can adjust the strength of the beverage by adjusting the quantity of beverage or milk froth. Refer to the section titled "Adjusting the strength of the beverage (beverage quantity)" for information on how to do this.

Frothed milk



1. Lift off the drip tray if necessary.



2. If you have not already done so, fold down the lever. **Do not insert a capsule.**
3. Place a tall glass underneath the milk spout.



4. Press the **make milk froth** button.

The frothing process starts and stops automatically.
You will hear a beeping sound once the frothing process has finished.

- ▷ If you would like to stop the frothing process prematurely, press the **make milk froth** button once more during the frothing process.

Default settings upon purchasing the machine:
milk froth approx. 30 ml

Tip: You can customise the amount of milk froth. Refer to the section titled "Adjusting the strength of the beverage (beverage quantity)" for information on how to do this.

Milk system rinse

Milk is highly perishable. For the perfect milk froth and to ensure optimum hygiene, **always** rinse the milk system **immediately after preparing** beverages with milk. Rinsing the milk container is never a substitute for cleaning it daily. **Clean the milk container at the end of the day as described in the section titled "Cleaning".**

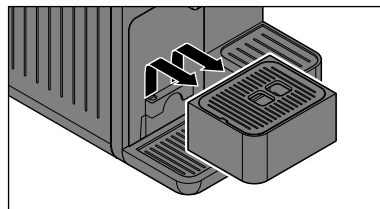


- ▷ Press the **milk system rinse** button to rinse the pipes/ connection tubes to the milk container.

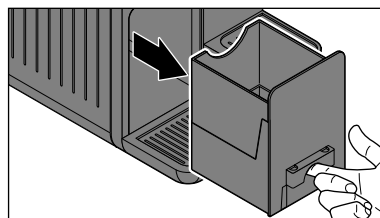
Rinsing takes approx. 50 seconds.
You will then hear 2 beeps.

After use

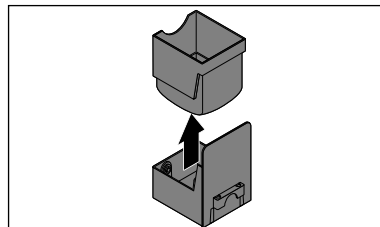
- ▷ Empty and clean the front drawer, drip tray and used capsule container on a regular basis.



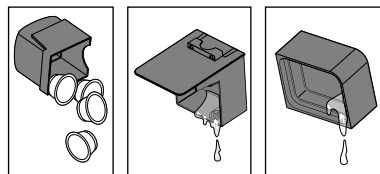
1. Lift off the drip tray.



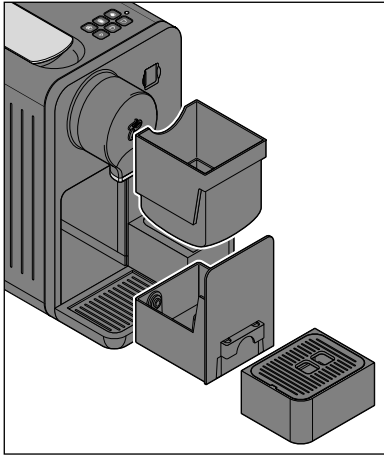
2. Pull out the front drawer as illustrated.



3. Remove the used capsule container. The used capsule container must be emptied daily or when it is full. The used capsule container holds approx. 6 capsules.



4. Empty the used capsule container.
5. Empty the front drawer.
6. Empty the drip tray if necessary.



7. Reinsert all parts into the machine in reverse order.

Adjusting the strength of the beverage (beverage quantity)

Adjust the strength of the beverage to suit your personal taste by adjusting the quantity of beverage or milk froth. You can do this for one single brewing or frothing procedure, or you can save the setting.

Adjusting the strength for the current brewing procedure (without saving the setting)

- ▷ If the beverage is **too weak** for your taste, you can stop the water flow prematurely by pressing the flashing beverage button.
- ▷ If the beverage is **too strong** for your taste, simply restart the brewing process without inserting a new capsule. Press the button again as soon as sufficient water has run through.

Default settings upon purchasing the machine:

espresso approx. 40 ml | **caffè crema** approx. 125 ml | **black coffee** approx. 125 ml
cappuccino approx. 90 ml milk froth, approx. 40 ml espresso
milk froth approx. 130 ml

The water quantity can be set between approx. 30 and 250 ml.

Setting the strength of the beverage permanently (saving the setting)

You can change the default settings for the beverage quantities permanently. You can customise the setting for each beverage button: one setting each for espresso, caffè crema, black coffee, cappuccino and milk froth.

Espresso, caffè crema and black coffee

1. Proceed as described in the section titled "Making a beverage without milk": Fill the water container, insert a capsule and place a cup underneath the coffee spout.



2. Press and hold the required button (e.g. **caffè crema**). You will hear a beep after approx. 2 seconds. Release the button as soon as the desired quantity has been dispensed into the cup.

The setting has been saved. If the settings are not to your taste, simply repeat the procedure to change them again.

Cappuccino

1. Proceed as described in the section titled "Making a beverage without milk": Fill the water container and milk container, insert a capsule and place a cup underneath the coffee and milk spout.



2. Press and hold the **cappuccino** button. You will hear a beep after approx. 2 seconds. Release the button as soon as the desired quantity of milk froth has been dispensed into the cup. The setting has been saved.

3. Wait until coffee starts being made.

4. Press and hold the **cappuccino** button once again. You will hear a beep after approx. 2 seconds. Release the button as soon as the desired quantity of coffee has been dispensed into the cup. The setting has been saved.



If the settings are not to your taste, simply repeat the procedure to change them again.

Milk froth

1. Proceed as described in the section titled "Making a beverage with milk": Fill the water container and milk container and place a cup underneath the milk spout.



2. Press and hold the **make milk froth** button. You will hear a beep after approx. 2 seconds. Release the button as soon as the desired quantity of milk froth has been dispensed into the cup. The setting has been saved.

If the settings are not to your taste, simply repeat the procedure to change them again.

Restoring the factory settings

To reset to the original amounts of beverage and milk froth, proceed as follows:



1. Switch the machine off: To do so, briefly press the **espresso** button and the **caffè crema** button at the same time.

2. Then press and hold the **caffè crema** button and the **black coffee** button at the same time.

3. In addition, briefly press the **espresso** button once until you hear three beeps as confirmation and the 5 beverage buttons start flashing.

4. Release all buttons.

The default settings for beverage and milk froth quantities have now been restored.

Cleaning



DANGER - risk of fatal electric shock

- Switch off the machine and remove the mains plug from the wall socket before cleaning the machine.
- Never immerse the machine, mains plug or mains cable in water or any other liquids.
- Do not clean the machine with a water jet. Clean it only as described in the following instructions.

CAUTION - material damage

Do not use any caustic, aggressive or abrasive products for cleaning.

Cleaning the casing

- ▷ Wipe the casing with a soft, damp cloth.
- ▷ Wipe the compartment for the used capsule container with a soft, damp cloth as required.

Rinsing the water container daily

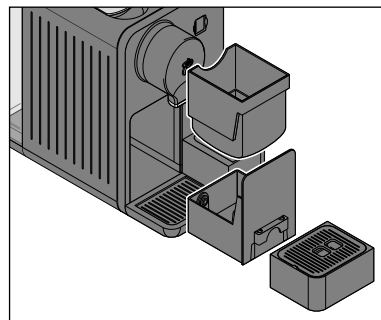
- ▷ Rinse out the water container daily under running water. This prevents limescale deposits or other particles from clogging the opening on the bottom of the water container.

Thoroughly cleaning the water container weekly

The water container should be cleaned thoroughly once a week.

- ▷ Wash the water container in warm water with a mild washing-up liquid. Rinse it out thoroughly under running water and dry it. The water container is not dishwasher-safe.

Cleaning the used capsule container and drip tray/grid

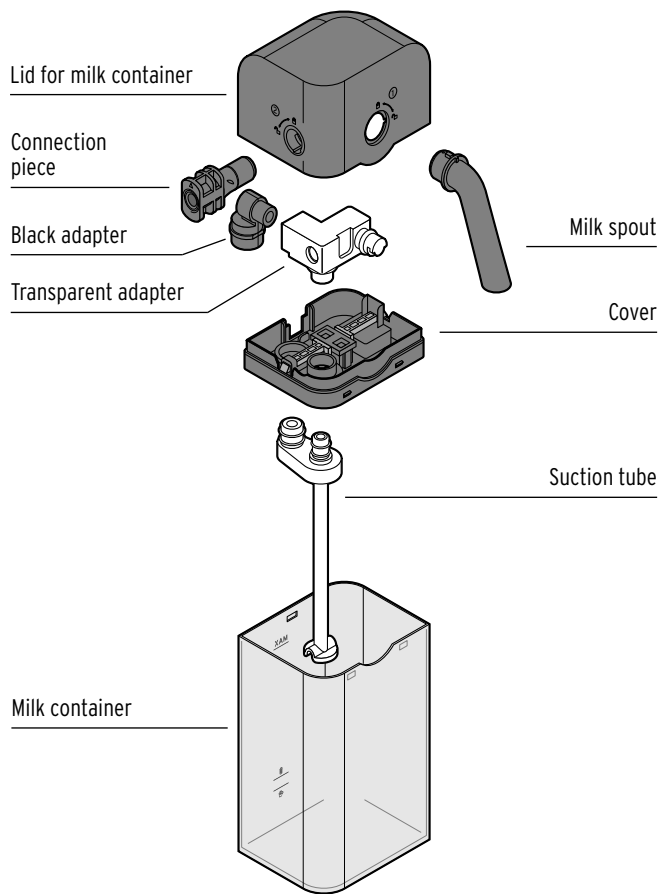


1. Lift off the drip tray.
2. Remove the drip grid from the drip tray and empty the drip tray.
3. Pull out the front drawer and remove the used capsule container.
4. Empty the used capsule container.
5. Wash all parts with water and washing-up liquid. Dry all parts thoroughly. The drip tray and grid, front drawer and used capsule container can also be cleaned in the dishwasher.
6. Then reinsert all parts into the machine.

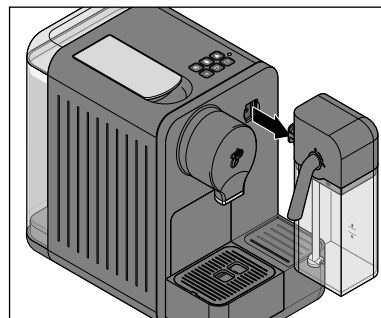
Cleaning the milk container

If you use the milk container to froth milk, you must **take it apart and clean all parts in warm water and a mild washing-up liquid** as described in the following steps **once a day (preferably at the end of the day after you have used the machine for the last time)**; all parts are also dishwasher-safe. This is the only way to ensure the best level of hygiene, high-quality milk froth and a long service life for the machine. It must be cleaned in addition to regular rinsing of the milk system.

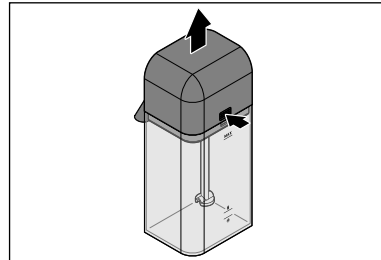
Milk container (at a glance)



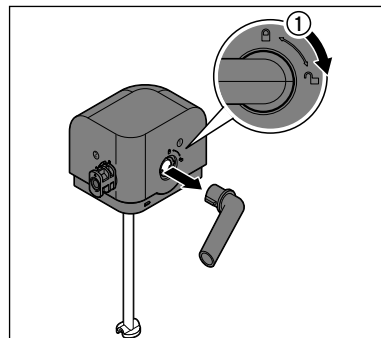
Disassembling the milk container



▷ Pull the milk container straight out towards you to remove it from the machine.

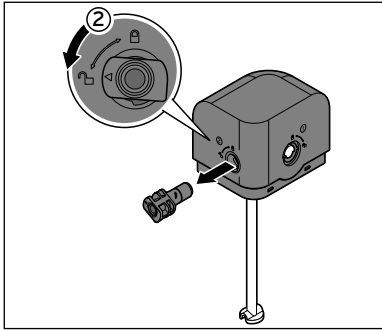


▷ Press the release button on the lid for the milk container and pull the lid upwards to remove it.

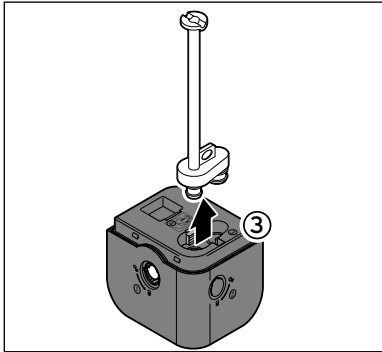


The numbers on or inside the lid for the milk container help you to disassemble the lid in the correct order:

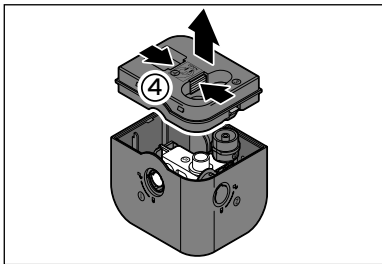
1. Turn the milk spout ① clockwise as far as it will go and pull it off the lid.



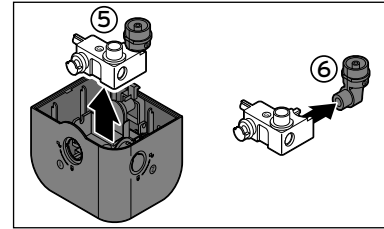
2. Turn the connection piece for the machine ② anticlockwise as far as it will go and pull it off the lid.



3. Pull the suction tube ③ upwards to remove it.



4. Press and hold the two red buttons ④ and pull the cover upwards to remove it.



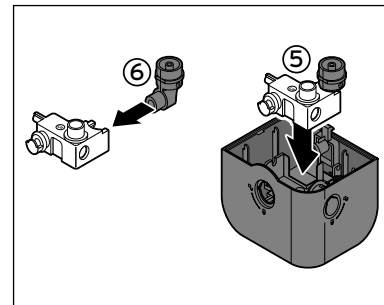
5. Pull the transparent adapter ⑤ upwards to remove it.
6. Pull the black adapter ⑥ out of the transparent adapter.

7. Wash all parts of the milk container carefully in warm water with a mild washing-up liquid. Use a soft brush if necessary.
8. Then rinse all parts with clean, cold water. Dry all parts carefully and leave them open to dry over night.



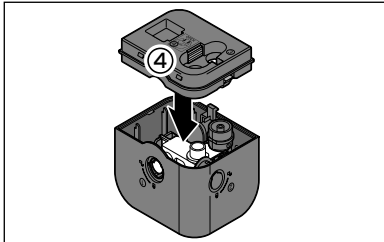
- All parts are also dishwasher-safe.
- For optimum cleaning of the milk container, we recommend regularly soaking all parts of the milk container in warm water with durgol® Milchsistem-Reiniger® ("Milk System & Frother Cleaner") for a while. The solution is available from any Tchibo branch and from specialist retailers.

Reassembling the lid for the milk container

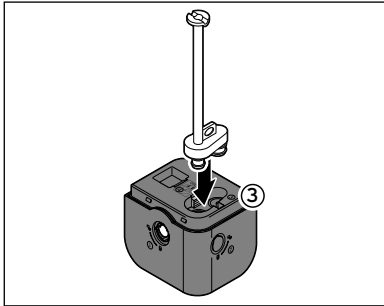


The numbers on or inside the lid for the milk container help you to reassemble the lid in reverse order:

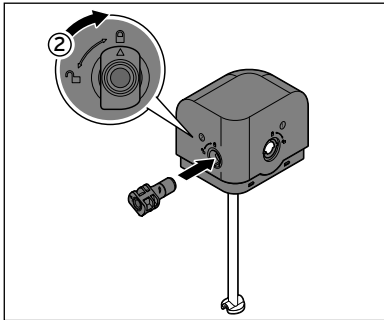
1. Insert the black adapter ⑥ into the transparent adapter as illustrated.
2. Insert the transparent adapter ⑤ as far as it will go into the recesses in the lid for the milk container.



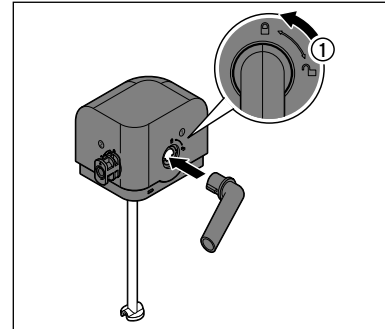
3. Place the cover ④ on the lid for the milk container. You must hear and feel the cover lock into place.



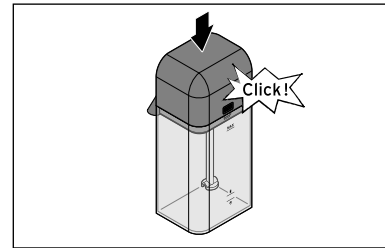
4. Insert the suction tube ③ as far as it will go into the openings in the cover.



5. Insert the connection piece ② into the lid for the milk container as illustrated and turn it clockwise as far as it will go.



6. Insert the milk spout ① into the lid for the milk container as illustrated and turn it anti-clockwise as far as it will go.



7. Place the lid back on the milk container. You must hear and feel it lock into place.

Descaling



If the indicator light is yellow, the machine needs to be descaled. Do this within the next couple of days. Do not wait any longer, otherwise so much limescale may build up that a descaling agent will no longer have any effect. **Descaling takes approx. 30 minutes.**

CAUTION – damage to the machine due to limescale deposits

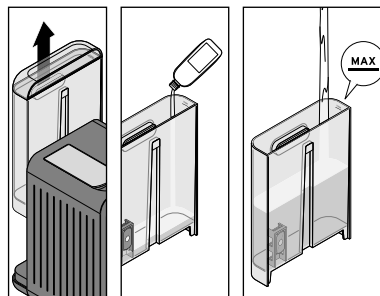
- **Descale the machine as soon as it indicates that this is necessary.** This increases its service life and saves energy.
- Do not use any descaling agents made on the basis of formic acid.
- Use a standard liquid descaling agent suitable for coffee and espresso machines. Other agents may damage materials in the machine and/or have no effect.

Tip: We recommend durgol® swiss espresso®, which is available from any Tchibo branch and from specialist retailers.

To descale the machine, proceed as follows:

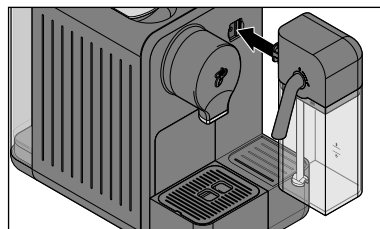


1. Switch the machine off: To do so, briefly press the **espresso** button and the **caffè crema** button at the same time.

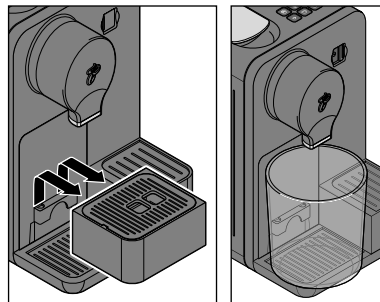



2. Pour in the descaling agent:
 - ▷ Take the water container out of the machine and pour one portion (125 ml) of durgol® swiss espresso® into the empty water container. **IMPORTANT:** Pour in cold tap water **up to the MAX mark** and reinsert the container.

- ▷ If you are using a different descaling agent, read the manufacturer's instructions. **IMPORTANT:** Pour in the descaling solution **up to the MAX mark** and reinsert the container into the machine.



3. Insert the milk container all the way into the connection point on the machine.



4. Fold down the lever and remove the drip tray if necessary.
5. Place a container with a capacity of at least 600 ml under the coffee and milk spout.
 -  You will need to empty the container underneath several times during the descaling process.



6. Press and hold the left **espresso** button and the **black coffee** button at the same time for 5 seconds.



7. The **caffè crema** button will light up and the indicator light will flash alternately between red/yellow. Press the **caffè crema** button to start the descaling process.



- The descaling process begins. The **caffè crema** button will fade and the indicator light will flash alternately between red/yellow. **The procedure takes approx. 25 minutes.**

The machine pumps descaling solution through the pipes several times at regular intervals. Every time, a small amount of descaling solution is pumped out through the coffee spout and milk spout in alternation into the container underneath.

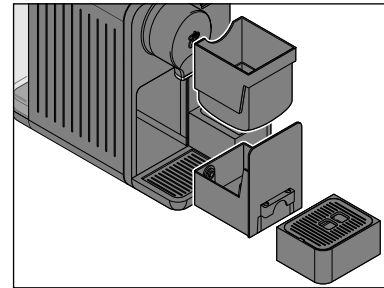
8. Do not leave the machine unattended during the descaling process. Make sure you pour out the water in the container underneath in time to prevent the container from overflowing.



- Once all the descaling solution has been pumped through the machine, **the machine stops for approx. 2.5 minutes.** The indicator light will continue to flash alternately between red/yellow.

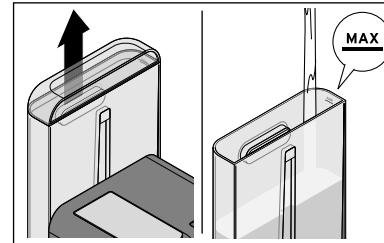


After 2.5 minutes, the **caffè crema** button will light up again and you will hear a beeping sound.

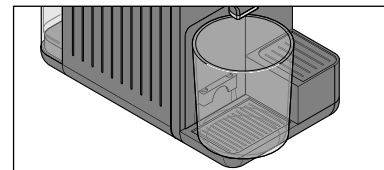


9. Remove the water container, the front drawer and the used capsule container from the machine.
10. Wash all parts individually with water and washing-up liquid. Dry all parts thoroughly.
11. Then reinsert all parts into the machine.

Rinsing process



12. For the rinsing phase, fill the water container **up to the MAX mark** with cold tap water.



13. Place an empty container with a capacity of at least 600 ml under the coffee and milk spout.

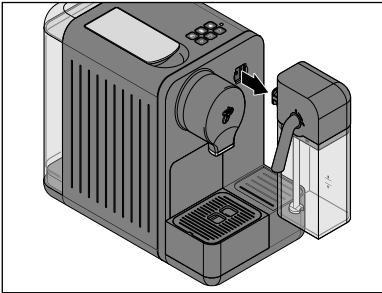


14. Press the **caffè crema** button to start the rinsing process.



The rinsing process will begin. The **caffè crema** button will fade and the indicator light will flash yellow. **The procedure takes approx. 2 minutes.**

15. Approx. 600 ml of water will be rinsed through the system. Keep an eye on the container and empty it before it overflows.
16. The machine automatically switches to standby once it is finished. The indicator light goes out. The descaling process is complete.



17. Pull the milk container straight out towards you to remove it from the machine.
18. Clean the milk container as described in the section titled "Cleaning".

Problems / solutions

The indicator light is flashing red and there are several beeping sounds.

Is the water container empty?

- ▷ Fill the water container with fresh water.
- ▷ Press one of the beverage buttons. The pump starts to operate. As soon as the pipes are filled with water, the pump stops automatically. When the beverage buttons remain permanently lit, the machine is ready for use again.

Was the lever for opening and closing the capsule opening opened while the machine was making a beverage?

- ▷ Close the lever. Press any button. Once the buttons remain permanently lit, the machine is ready for use again.

There are coffee grounds in the cup.

A small residue of coffee grounds always remains at the bottom of the cup. This is a feature of the system and is not a fault.

Water is dripping from the coffee spout.

The water in the system expands as the machine heats up. This causes a little water to drip from the coffee spout. This is a feature of the system and is not a fault.

The indicator light stays yellow.

The machine needs to be descaled. Do this within the next couple of days. Do not wait any longer, otherwise so much limescale may build up that a descaling agent will no longer have any effect. A self-induced defect of this kind will not be covered by the warranty. Proceed as described in the section titled "Descaling".

It is not possible to press down the lever.	Check whether the used capsule container is full. Empty it if necessary.
The capsule does not fall through the capsule shaft.	If a capsule is trapped in the capsule opening, fold the lever back completely and press the capsule through from the top to the bottom. Do not reinsert a capsule if it is deformed!
The rinsing process does not finish; the water container is empty, the indicator light is flashing red and the machine is beeping.	Fill the water container with cold tap water up to the MAX mark and reinsert the container into the machine. Continue with step 12 in the section titled "Descaling"- "Rinsing phase".
The machine is not making any milk froth. The milk is not being drawn in.	Check whether all parts of the milk container are inserted correctly. If necessary, disassemble and reassemble the milk container (see section titled "Cleaning" - "Disassembling the milk container / Reassembling the lid for the milk container"). Clean the milk container as described in the section titled "Cleaning".
The milk beverage buttons do not light up.	The milk container is not connected properly: Insert the milk container all the way into the connection point on the machine.

Technical specifications

Type / Model:	Cafissimo 375 273
Product number:	see "Warranty" section
Mains voltage:	220-240 V ~ 50 Hz
Power:	1350 watts
Power consumption when turned off:	<0.5 watts
Automatic switch-off:	approx. 9 minutes
Protection class:	I
Pump pressure:	max. 15 bar
Sound pressure level:	<70dB(A)
Ambient temperature:	+10 to +40 °C
Preset brew quantities:	black coffee approx. 125 ml caffè crema approx. 125 ml espresso approx. 40 ml cappuccino: approx. 90 ml heated milk, approx. 40 ml espresso milk froth approx. 130 ml
Made exclusively for:	Tchibo GmbH, Überseering 18, 22297 Hamburg, Germany

In the course of product improvement, we reserve the right to make technical and optical modifications to the product.



Declaration of Conformity

Tchibo GmbH hereby declares that this product is in compliance with the essential requirements and other relevant provisions of the following directives at the time of it being placed on the market:

- 2006/42/EC - Machinery Directive
- 2014/30/EU - Electromagnetic Compatibility
- 2009/125/EC - Ecodesign Directive
- 2012/19/EU - WEEE
- 2011/65/EU - Restriction of the Use of Certain Hazardous Substances in Electrical and Electronic Equipment



The complete Declaration of Conformity can be found by entering the type/model number (**375 273**) at www.tchibo.de/instructions.

Disposal

The product and its packaging have been manufactured from valuable materials that can be recycled. Recycling reduces the amount of refuse and helps to preserve the environment.

Dispose of the **packaging** at a recycling point that sorts materials by type. Make use of the local facilities provided for collecting paper, cardboard and lightweight packaging.



Appliances marked with this symbol must not be disposed of along with normal household refuse! You are legally bound to dispose of old appliances separately from household waste. Electronic appliances contain hazardous substances. If stored or disposed of improperly, these may cause harm to health and the environment. Information about collection points where old appliances can be disposed of free of charge is available from your local authorities.

Warranty

Tchibo GmbH grants a **24-month warranty** from the date of purchase.
Tchibo GmbH, Überseering 18, 22297 Hamburg, Germany

We will remedy all defects in workmanship or materials **within the warranty period**. In order for the warranty to be granted, all warranty claims must be accompanied by proof of purchase from Tchibo or from an authorised Tchibo distribution partner. This warranty is valid within the EU, Switzerland and Turkey.

Damage due to improper use, failure to decalcify, as well as worn parts and consumables, are **not covered by the warranty**. These can be ordered from our Cafissimo customer care service.

This warranty does not restrict **statutory warranty rights**.

Service and repair

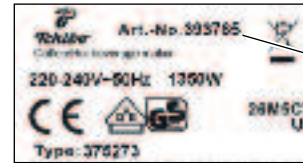
If, contrary to our expectations, a defect is found, please contact our Cafissimo customer care service to begin with. Our customer consultants will be happy to advise you on further procedure.

If you have any questions relating to product information, ordering accessories or servicing, please contact our Cafissimo customer care service. Please have the product number to hand in case of any queries.

Cafissimo customer care service

Email: service@tchibo.de

Product number



Product
number

You can find your Cafissimo's product number on the type plate on the bottom of the casing. Before laying the Cafissimo on its side, remove the water tank, drip tray,

front drawer with used capsule container and milk container. Place a cloth or mat underneath to protect surfaces from any residual coffee or water that may leak out.